



STORE

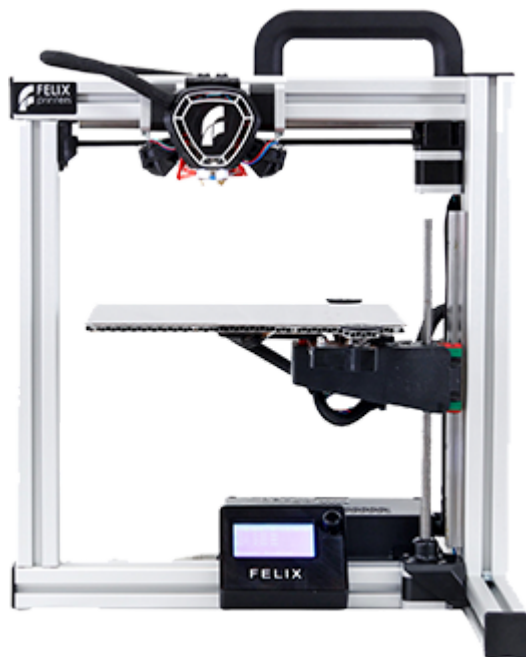


Felix Tec Series

Buy

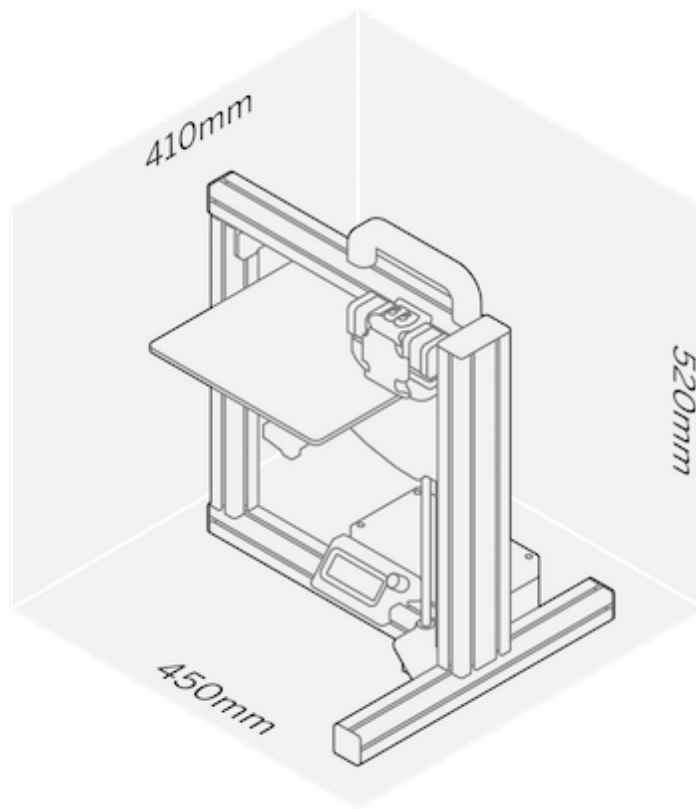
----Select----

Technical Specifications FELIX Tec 4



Physical Properties

Print Size



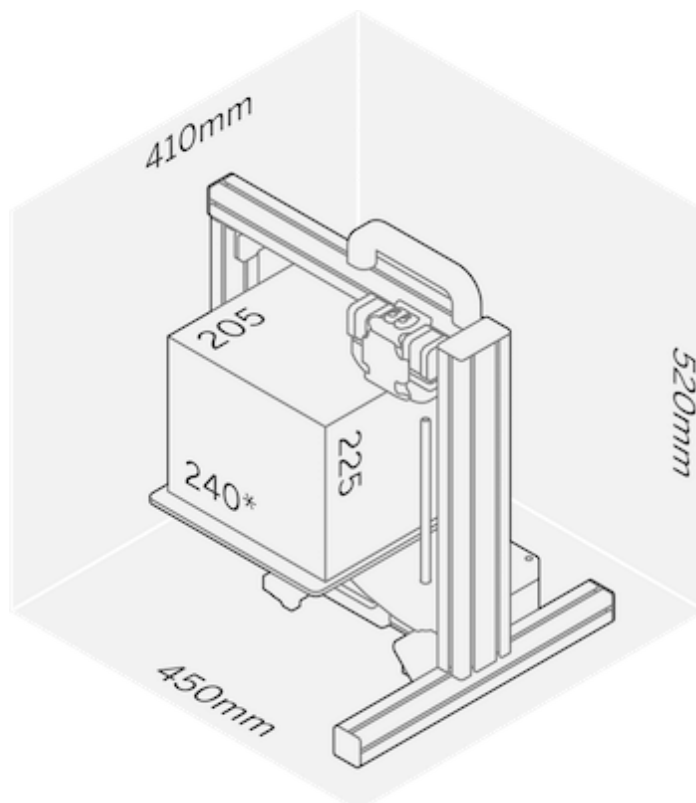
450 x 410 x 520 mm

Weight

Approx. 10 kg

Build Volume

Size (X, Y, Z)



255 (*240 dual head) x 205 x 220 mm

Printer and printing properties

Name of product

FELIX Tec 4 Dual Head

Print Technology

Fused Filament Fabrication

Layer resolution

Low	250 microns
Normal	200 microns
High	150 microns
Very High	100 microns
Extreme	50 microns

Build plate

Heated platform
1 Flexible BuildPlate
Max. temperature 90 °C

Build plate leveling

Semi-automatic (induction sensor)
2 manual leveling wheels

Print head

2 full metal print head (including teflon tubes)

Build speed

0.35mm nozzle upto 15 mm³/s
(ABS @ 250°C)

Print head travel speed

Up to 200 mm/s

Filament feeder type

Direct geared extruders

Nozzle diameter

0.35 mm standard for both nozzles (0.25, 0.5, 0.7 mm optional)

XYZ resolution

XY, 13 microns

Z: 04 micron

XYZ typical print accuracy

+/- 0.1mm for objects up to 100 mm

Nozzle temperatures

Up to 275 °C

Nozzle heatup time

Approx 1.5 min @ 200 °C

Buildplate heatup time

Approx 2.5 min to 60 °C

Upgradability

Upgradable

Yes, to next gen Tec Series,
FELIX Cover Unit (optional)

Expansions

Paste Extruder (optional),
WiFi Unit The Element (optional)

Materials

System

Open filament system, use filament from any supplier

Filament diameter

1.75mm

Supported materials

Recommended: PLA, PETG, ABS,PVA, FLEX
Specials: Any filament which melts under 275 °C

Software Requirements

Software

Repetier-Host for FELIXprinters, downloadable from our website (open source)
Simplify3D is recommended (not included)

Supported OS

Windows 7 and upwards
Mac OS X or higher
Linux (Repetier-Host)

Supported file types

STL, AMF, OBJ, 3DS

Printer communication

USB
Standalone via micro SD card (included)

Hardware Requirements

Input

Line voltage

100 - 240V (AC)

Frequency

50 - 60 Hz

Power usage

250 W max.

Operating conditions

Operating ambient temperatures

15 to 32 °C

60 to 90 °F

Storage temperatures

0 to 32 °C

32 to 90 °F

Service and Support

Warranty

12 month limited warranty. (Wearable parts excluded e.g. hot-ends)

Lifetime support